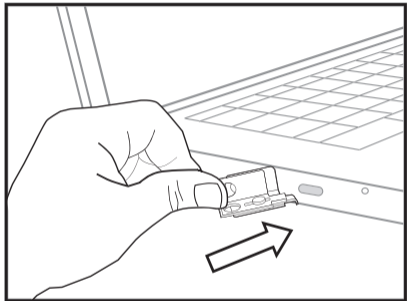
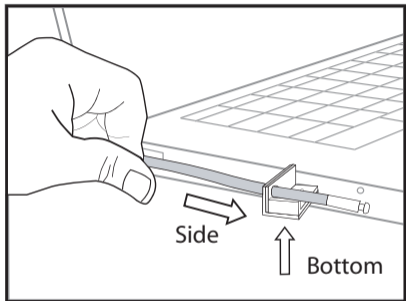


Attaching Hook Lock



Open the Hook Lock by sliding the top and bottom plate apart. Insert the Hook Lock into the device's micro security slot and slide the top plate forward until holes are aligned.



Slide the Security Cable through the side or bottom hole in the Hook Lock. Then attach to Pad or Cable Loc.